



Quickstart Guide

TCC01

(Thermocouple converter to 0-5V)

Provided accessories

- TCC01 with housing
- DTM plug with wedge lock
- 3 pins for self-crimping
- 3 pre-crimped connection cables

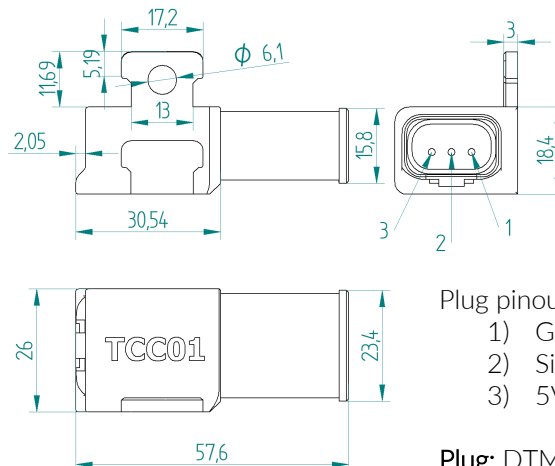
More information

More information on this product and accessories you can find online at:
www.canchecked.de/tcc01/

The TCC01 module is the ideal solution for conveniently connecting your Type K sensors and generating a linear 0-5V signal. With this module, you can easily connect to your CANchecked display or programmable control unit.

Features

- Cold-junction compensated Type K input
- DTM06-3S connector
- Standard Mini Thermocouple connector
- Mounting bracket for attachment with M6 screw or cable tie
- Linear temperature curve from 0-1250°



Plug pinout:

- 1) Ground
- 2) Signal
- 3) 5V+

Plug: DTM06-3S

Crimp: TE 1062-20-0122

Technical Specifications:

- Power consumption: only 180uA
- Very fine resolution of 4mV per °C
- Calibration: 0V = 0°C (32°F) and 5V = 1250° (2282°F)
- Accuracy: maximum deviation of 1.5%
- Internal cold-junction compensation
- Suitable for measuring gases, liquids, and more
- Supports various Type K elements (including 0.5mm, 1mm, 3mm, and 5mm diameter)
-

Installation:

Installing the module is easy. It should be placed in a dry and not-too-hot location, such as behind the firewall.

You can use the integrated strap for fastening. Due to the special design, it is possible to mount additional TCC01s parallel to each other. For maximum fixation, you can attach the enclosed strap to the TCC01 module with superglue. Our displays are pre-configured for the connection of the TCC01. To do this, connect the signal to AIN2.

On questions regarding accessories or functionality please get in contact with us via our homepage (www.canchecked.de) or via email (info@canchecked.de)