



Quickstart Guide CBD10

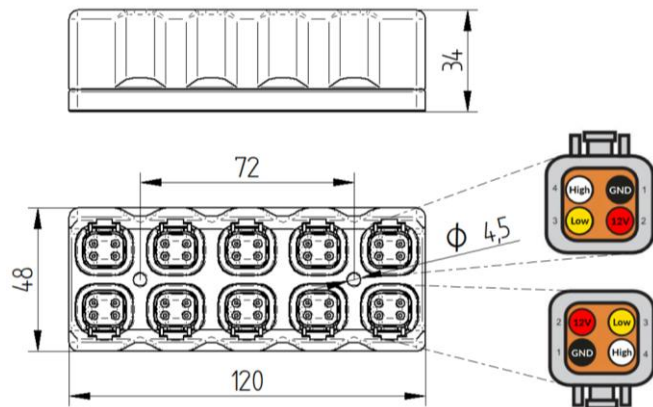
Provided accessories

- 1x CBD10
- 2x M4x35 VA securing screws with self-locking nuts
- 4x jumper (pre-mounted on the board)

Further information

For more information regarding our products please head to:
www.canchecked.de/cbd10/

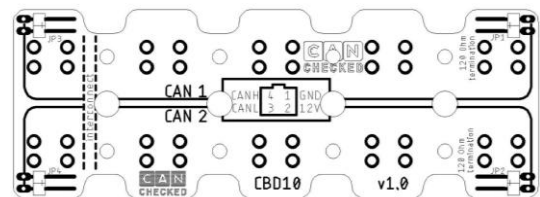
Optional available mating plug:
DTM06-4S (CC22101)



Remove the backside of the device, to gain access to the jumpers:

JP1: Can Bus termination can 1 (120 Ohm) –
remove jumper for deactivation

JP2: Can Bus termination can 2 (120 Ohm) –
remove jumper for deactivation



JP3+4: Install jumper to interconnect busses or remove jumper to separate busses

The maximum current of all connections together is 10 amps.

If 12V and ground are swapped the LED will illuminate in yellow instead of green.

For further questions or information please open a ticket on
www.canchecked.de/ticket